

## Parts List for 87,300-00 Series Brakes (NEMA 2)

### Information required when ordering replacement parts:

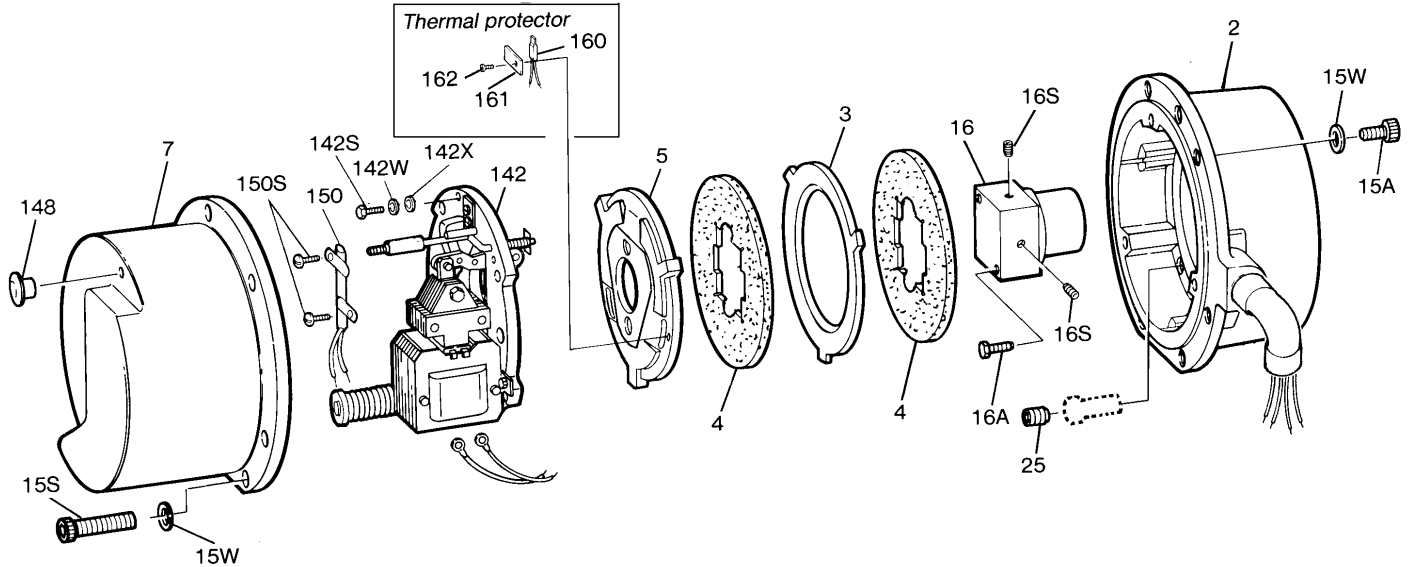
Give part number of parts or kits needed, brake model number, and brake serial number. The brake model and serial number may identify special brakes not covered by this parts list.

When ordering hubs, specify shaft diameter (hub bore) and keyway.

Shaded description items are recommended spare parts. One set per 5 brakes in service are recommended

For installation and service instructions, see P/N 8-078-927-03.

Detailed service instruction sheet is included with each kit.



Vertical Above Components (brake above motor)	Vertical Below Components (brake below motor)

### Floor Mounted Brake Components

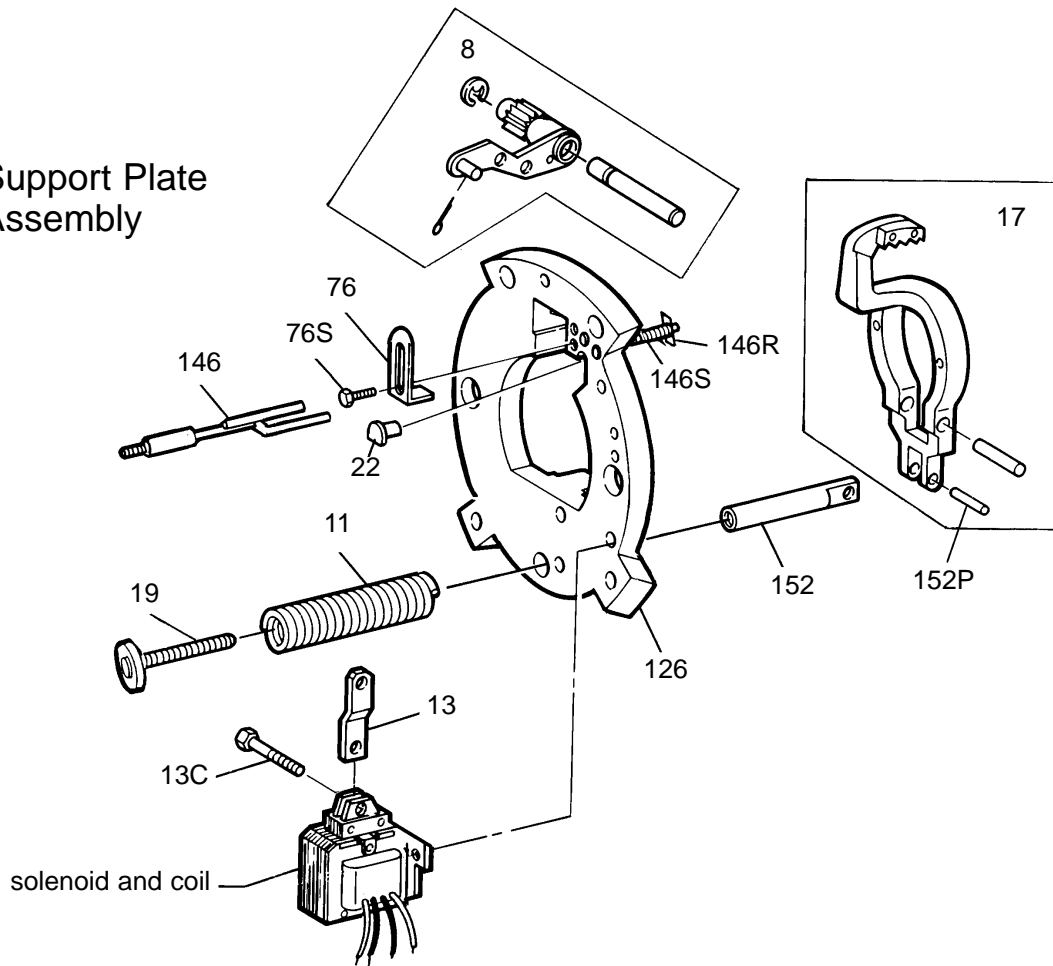
Item	Description	Part Number ↓	Style		Motor Mounted						Floor Mounted							
			Torque (lb-ft)		10	15	25	35	50	75	105	10	15	25	35	50	75	105
			Brake Model Number →	1-087-311-00	1-087-321-00	1-087-331-00	1-087-341-00	1-087-351-00	1-087-361-00	1-087-381-00	1-087-312-00	1-087-322-00	1-087-332-00	1-087-342-00	1-087-352-00	1-087-362-00	1-087-382-00	
2	Endplate assembly <i>(includes union and lead wires with fiberglass tubing)</i>	5-50-7031-00 5-50-7032-00 5-50-7033-00	1	1	1	1	1	1	1	1	1	1	1	1	1	1		
3	Stationary disc kit (horiz. or vert.)	5-66-8372-00	1	1	1	1	1	1	2	1	1	1	1	1	2	2		
4	Friction disc	5-66-8486-00	1	1	1	1	2	2	3	1	1	1	1	2	2	3		
5	Pressure plate	8-005-702-06	1	1	1	1	1	1	1	1	1	1	1	1	1	1		
7	Housing	8-007-739-11	1	1	1	1	1	1	1	1	1	1	1	1	1	1		
15A	Cap screw housing removal	9-17-3210-00	1	1	1	1	1	1	1	1	1	1	1	1	1	1		
15S	Cap screw housing	9-17-3224-00	7	7	7	7	7	7	7	7	7	7	7	7	7	7		
15W	Lock washer	9-45-1332-00	8	8	8	8	8	8	8	8	8	8	8	8	8	8		
16	Hub and set screw assembly	5-16-7123-00	1	1	1	1	1	1	1	1	1	1	1	1	1	1		
	Hub and set screw assembly	5-16-7124-00							1							1		
16A	Screw-hub positioning	9-10-3032-00	1	1	1	1	1	1	1	1	1	1	1	1	1	1		
25	Pipe plug	9-33-0184-00	4	4	4	4	4	4	4	4	4	4	4	4	4	4		
33	Floor stand collar	8-033-701-01								1	1	1	1	1	1	1		
33S	Set screw	9-22-1006-00								2	2	2	2	2	2	2		
34	Floor stand	8-034-702-01								1	1	1	1	1	1	1		
34R	Retaining ring	9-03-0003-00								2	2	2	2	2	2	2		
34S	Cap screw	9-17-1420-00								4	4	4	4	4	4	4		
35	Brake shaft	8-035-743-00								1	1	1	1	1	1	1		
	Brake shaft	8-035-744-00														1		
35K	Key	9-50-1238-00								1	1	1	1	1	1	1		
	Key	9-50-1254-00														1		
35R	Retaining ring	9-03-0002-00								2	2	2	2	2	2	2		
36	Ball bearing	9-01-6706-00								2	2	2	2	2	2	2		
141	Bearing spacer	8-141-701-00								1	1	1	1	1	1	1		
150	Space heater 115V (optional)	9-62-2054-00	1	1	1	1	1	1	1	1	1	1	1	1	1	1		
150S	Screw space heater	9-25-7321-00	2	2	2	2	2	2	2	2	2	2	2	2	2	2		

Item	Description	Part Number ↓	Torque (lb-ft)		10		15		25		35		50		75		105	
			Brake Model Number →	1-087-311-00	1-087-312-00	1-087-321-00	1-087-322-00	1-087-331-00	1-087-332-00	1-087-341-00	1-087-342-00	1-087-351-00	1-087-352-00	1-087-361-00	1-087-362-00	1-087-381-00	1-087-382-00	
			142*	Support plate assembly Support plate assembly Support plate assembly Support plate assembly	5-42-7301-00 5-42-7303-00 5-42-7305-00 5-42-7307-00		1		1		1		1		1		1	
142S	Screw - support plate	9-16-3014-01	3	3	3	3	3	3	3	3	3	3	3	3	3	3	3	
142W	Conical spring washer	9-46-0006-00	3	3	3	3	3	3	3	3	3	3	3	3	3	3	3	
142X	Flat washer, 1/4 I.D. × 9/16 O.D.	9-46-0005-00	3	3	3	3	3	3	3	3	3	3	3	3	3	3	3	
148	Release knob	8-148-703-00	1	1	1	1	1	1	1	1	1	1	1	1	1	1	1	
160	Thermal protector (TSW2)	9-62-8017-00	1	1	1	1	1	1	1	1	1	1	1	1	1	1	1	
161	Lock plate	8-076-713-00	1	1	1	1	1	1	1	1	1	1	1	1	1	1	1	
162	Screw - lock plate	9-14-2704-00	1	1	1	1	1	1	1	1	1	1	1	1	1	1	1	
<b>Vertical Above Modification**</b>																		
2A	Endplate assembly <i>(includes union, lead wires with fiberglass tubing and vertical above pins)</i>	5-50-7034-00 5-50-7035-00 5-50-7036-00		1		1		1		1		1		1		1		
I	Vertical above spring and spacer kit	5-66-3171-00	1	1	1	1	1	1	1	1	1	1	1	1	1	1	1	
5A	Pressure plate	8-005-702-07	1	1	1	1	1	1	1	1	1	1	1	1	1	1	1	
H	Vertical above pin	8-061-711-00	3	3	3	3	3	3	3	3	3	3	3	3	3	3	3	
	Vertical above pin	8-061-712-00										3	3	3	3	3	3	
	Vertical above pin	8-061-712-00															3	
<b>Vertical Below Modification**</b>																		
5B	Pressure plate - less pins (Item J)	8-005-702-08										1	1	1	1	1	1	
J	Vertical mounting pin	8-061-715-00										3	3	3	3	3	3	
	Vertical mounting pin	8-061-716-00															3	
K	Vertical below spring kit - green	5-66-3172-00																
	Vertical below spring kit - red	5-66-3173-00										1	1	1	1	1	1	

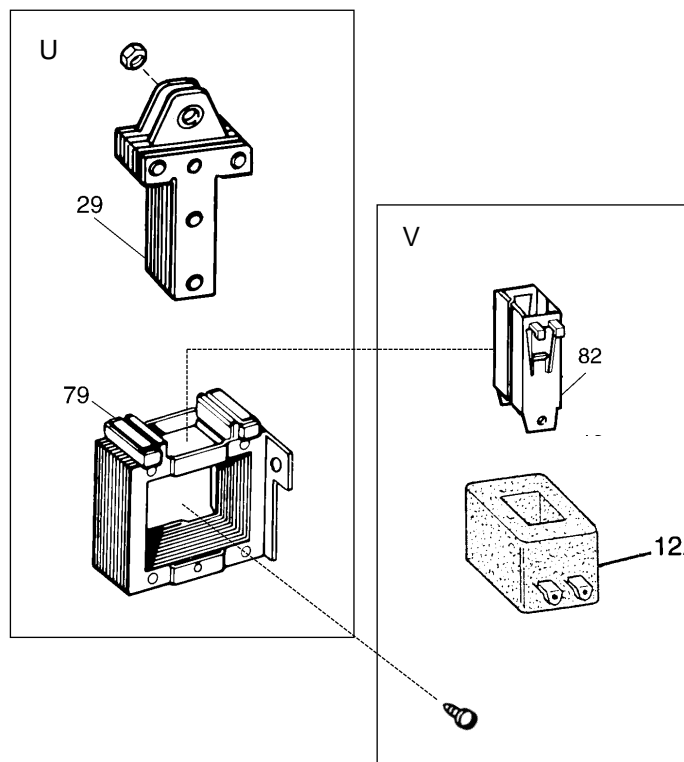
\*Coil (kit V) is separate.

\*\*Must also order Item 3 (Table 1) for stationary disc, horizontal or vertical, kit.

## Support Plate Assembly



## Solenoid and Coil Assembly



**TABLE 3-Components of Support Plate-5-42-730X-00**

Item	Description	Part Number	Torque (lb-ft)			
			10	15	25 & 50	35, 75 & 105
126	Support plate and bearing assembly	5-26-7007-00	1	1	1	
	Support plate and bearing assembly	5-26-7008-00				1
8	Solenoid lever and pinion kit	5-66-7371-00	1	1	1	1
17	Lever arm kit	5-66-7271-00	1	1	1	1
19 & 152	Pressure spring tube kit	5-66-7471-00	1	1	1	1
11	Pressure spring kit-black (formerly blue)	5-66-3072-00	1	1		
	Pressure spring kit-white (formerly yellow)	5-66-3074-00			1	
	Pressure spring kit-orange (formerly red)	5-66-3076-00				1
	Pressure spring kit-purple (formerly green)	5-66-3078-00				
U	No. 5 AC solenoid kit	5-66-5051-00	1			
	No. 6 AC solenoid kit	5-66-5061-00		1	1	
	No. 8 AC solenoid kit	5-66-5081-00				1
13	Solenoid link	8-013-703-00	1	1	1	
	Solenoid link	8-013-704-00				1
13C	Solenoid link cap screw	8-157-701-00	1			
	Solenoid link cap screw	8-157-702-00		1	1	
	Solenoid link cap screw	8-157-703-00				1
22	Solenoid lever stop	8-022-203-00	1	1	1	1
76	Wrap spring stop	8-076-703-00	1	1	1	1
76S	Screw-stop	9-25-7331-00	2	2	2	2
146	Release rod	5-28-7015-00	1	1	1	1
146R	Spring retainer	8-076-706-00	1	1	1	1
146S	Release spring	9-70-1525-00	1	1	1	1

**TABLE 4 - Coil Assembly**

Item	Description		Part Number	Torque (lb-ft)			
				10	15	25 & 50	35, 75 & 105
V	No.5 Coil Kit 60 Hz	230/460 Vac	5-96-6509-05	1			
		115 Vac	5-96-6501-05	1			
		230 Vac	5-96-6502-05	1			
		460 Vac	5-96-6504-05	1			
		575 Vac	5-96-6505-05	1			
	No.6 Coil Kit 60 Hz	230/460 Vac	5-96-6609-05		1	1	
		115 Vac	5-96-6601-05		1	1	
		230 Vac	5-96-6602-05		1	1	
		460 Vac	5-96-6604-05		1	1	
		575 Vac	5-96-6605-05		1	1	
	No.8 Coil Kit 60 Hz	230/460 Vac	5-96-6809-05				1
		115 Vac	5-96-6801-05				1
		230 Vac	5-96-6802-05				1
		460 Vac	5-96-6804-05				1
		575 Vac	5-96-6805-05				1

**TABLE 5 - Contents of Kits and Assemblies (contents may vary)**

Item Designation	Kit Description	Item Designation	Kit Description
3	Stationary disc kit (5-66-8372-00) 1 Stationary disc (horizontal or vertical)	17	Lever arm kit (5-66-7271-00) 1 Lever arm assembly 1 Lever arm pivot pin 1 Spring tube pivot pin
4	Friction disc kit (5-66-8486-00) 1 Friction disc	19 /152	Pressure spring tube kit (5-66-7471-00) 1 Pressure spring tube 1 Pressure spring screw 1 Spring tube pivot pin
I	Vertical above spring and spacer kit (5-66-3171-00) 9 Vertical above mounting springs 9 Vertical above spring spacers		
K	Vertical below spring kit-green (5-66-3172-00) 3 Vertical below springs-green	11	Pressure spring kit (5-66-307X-00) 1-Pressure spring
	Vertical below spring kit-red (5-66-3173-00) 3 Vertical below springs-red	U	AC solenoid kit (5-66-50X1-00) 1 Plunger 1 Frame 3 Solenoid mounting screws 3 Solenoid mtg. conical spring washers 1 Solenoid link nut
	8	Solenoid lever and pinion kit (5-66-7371-00) 1 Solenoid lever and pinion assembly 1 Cotter pin 1 Solenoid lever pivot pin 1 Pivot pin retaining ring	V