

Parts List for 81,000-02 Series Brakes (Portal Crane)

Information required when ordering replacement parts:

- Give part number of parts needed, brake model number, and brake serial number. The brake model and serial number may identify special brakes not covered by this parts list.
- When ordering hubs, specify shaft diameter (hub bore) and keyway.
- Consult factory regarding support plate assembly for vertical and extra items.

General Information

- For installation and service instructions, see P/N 8-078-921-04
- For vertical details, see P/N 8-078-931-05 and 8-078-962-06.

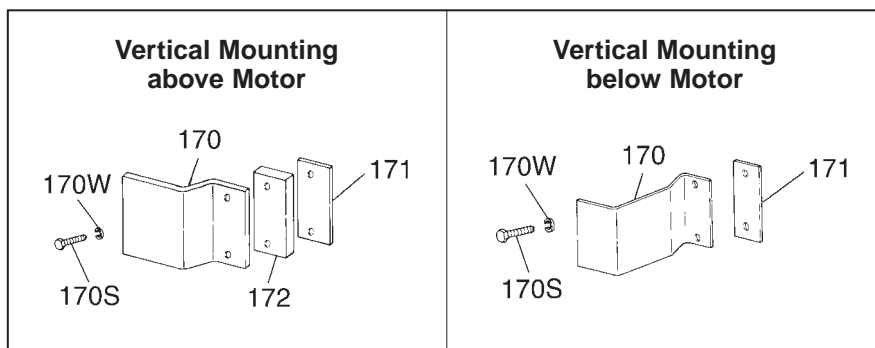
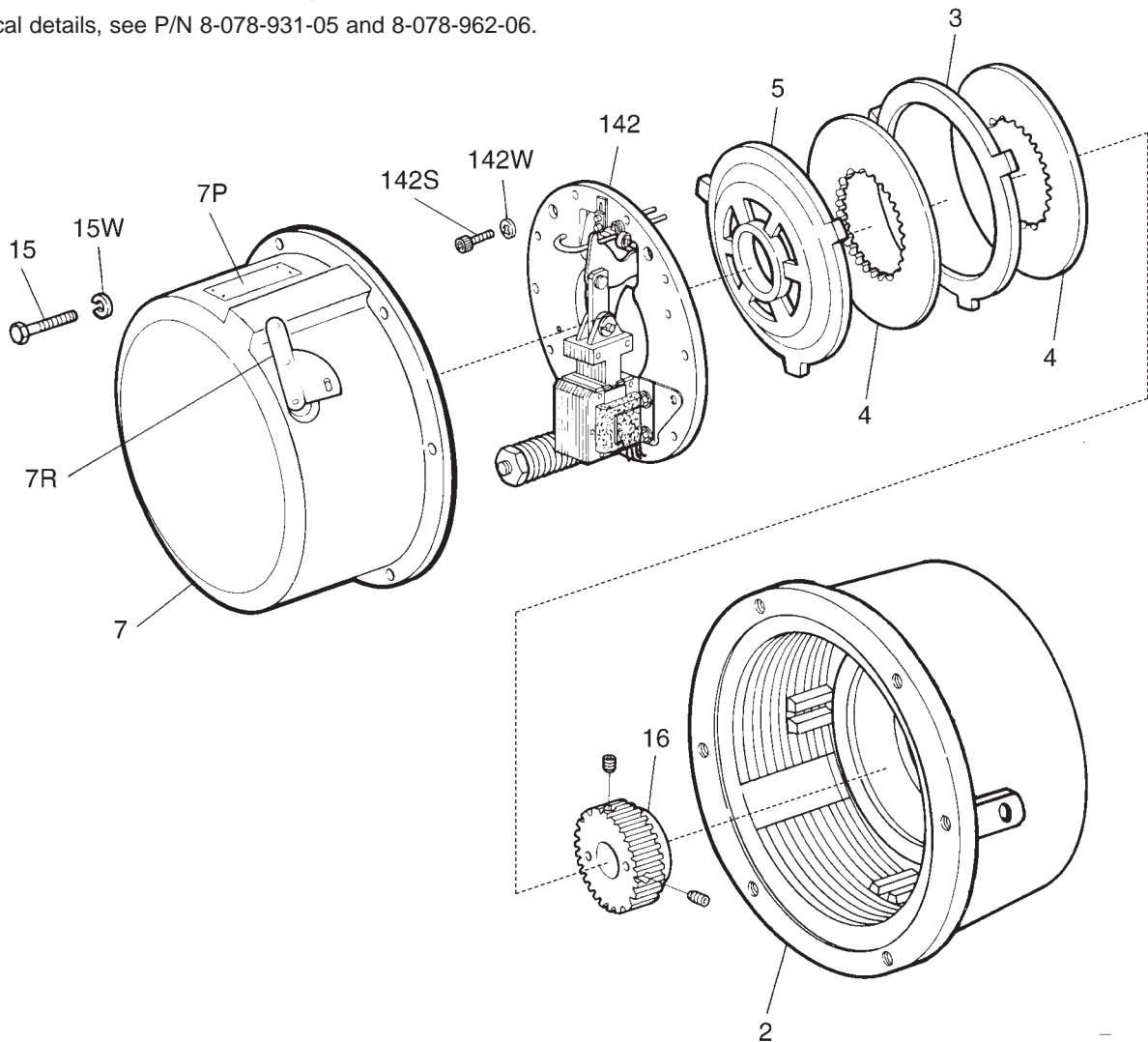


TABLE 1
*Components of Standard Horizontal AC or DC Units
and Standard Modifications*

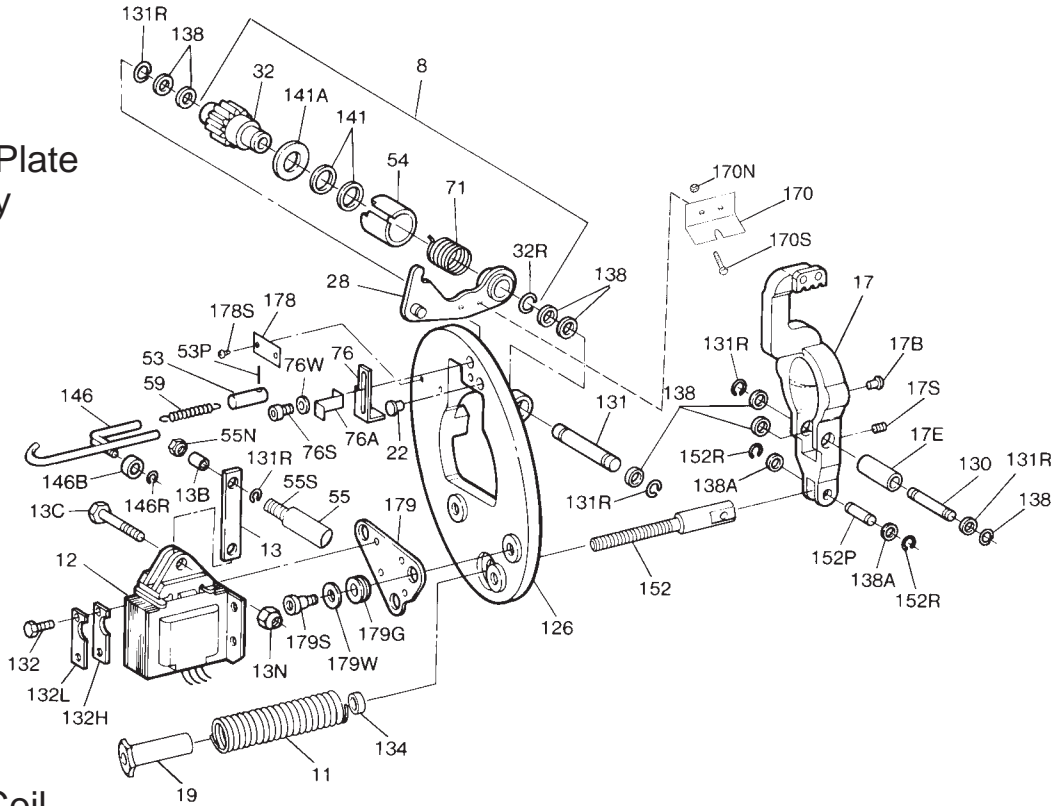
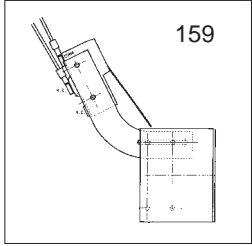
				Torque (lb-ft)		125		175		230	
				Current		AC	DC	AC	DC	AC	DC
				Brake Model Number →		1-081-012-02	1-081-016-02	1-081-022-02	1-081-026-02	1-081-032-02	1-081-036-02
Type of Modification	Item No.	Description	Part Number ↓	1-081-012-02	1-081-016-02	1-081-022-02	1-081-026-02	1-081-032-02	1-081-036-02	1-081-036-02	
	2	Endplate and oil seal assembly	5-22-1011-00	1	1	1	1				
	2S	Endplate and oil seal assembly	5-22-1012-00					1	1		
		Seal (<i>component of endplate and seal assembly</i>)	9-02-0014-00	1	1	1	1	1	1	1	
	3	Stationary disc	8-003-202-02	1	1	1	1	2	2		
	4	Friction disc	5-66-8414-00	2	2	2	2	3	3		
	5	Pressure plate	8-005-109-01	1	1	1	1	1	1		
	7	Housing, bearing and seal assembly (cast iron)	5-07-2019-00	1	1	1	1	1	1		
		Housing, bearing and seal assembly (aluminum)	5-07-2119-00	1	1	1	1	1	1		
	7R	Release handle	8-148-103-00	1	1	1	1	1	1		
	7D	Pipe plug (<i>drain</i>)	9-33-0325-01	1	1	1	1	1	1		
	7P	Warning plate	8-078-699-00	1	1	1	1	1	1		
	15	Machine screw (<i>housing</i>)	9-17-5216-00	6	6	6	6	6	6		
	15W	Lock washer (<i>housing</i>)	9-45-1352-00	6	6	6	6	6	6		
	<i>not shown</i>	Full release kit	5-55-2007-00	1	1	1	1	1	1		
16	Hub and set screw assembly	5-16-1102-00	1	1	1	1					
	Hub and set screw assembly	5-16-1104-00					1	1			
69	Gasket (<i>housing to endplate</i>)	8-069-206-00	1	1	1	1	1	1			
140	Lead wire bushing (<i>endplate</i>) (<i>internal connection only</i>)	8-140-002-08	1	1	1	1					
	Lead wire bushing (<i>endplate</i>) (<i>internal connection only</i>)	8-140-002-10					1	1			
142	Support plate assembly	5-42-2071-34-09	1	1							
	Support plate assembly	5-42-2073-34-09			1	1					
	Support plate assembly	5-42-2075-34-09					1	1			
142S	Cap screw (<i>support plate</i>)	9-17-5016-00	6	6	6	6	6	6			
142W	Conical spring washer (<i>support plate</i>) 1/4 I.D. x 9/16 O.D.	9-46-0006-00	6	6	6	6	6	6			
Components for Standard Modifications (<i>most items not shown</i>)											
Vertical Mounting above Motor	2	Endplate and seal assembly with pins	5-22-1015-00	1	1	1	1				
	3	Endplate and seal assembly with pins	5-22-1016-00					1	1		
	5	Stationary disc	8-003-202-02	1	1	1	1	2	2		
		Pressure plate	8-005-109-02	1	1	1	1	1	1		
	Not Shown	Vertical mounting pin	8-061-204-00	3	3	3	3				
		Vertical mounting pin	8-061-205-00					3	3		
		Vertical mounting spring kit (above)	5-96-0102-00	1	1	1	1	1	1		
	170	Plunger guide bracket	Kit 5-55-2002-00								
	170S	Cap screw (<i>bracket</i>)									
	170W	Lock washer (<i>bracket</i>)									
171	Shim (<i>bracket</i>)										
172	Spacer										
	Release plate	8-170-105-00	1	1	1	1	1	1			
	Screw	9-16-3014-00	2	2	2	2	2	2			
	Lock nut	9-40-3730-00	2	2	2	2	2	2			
	Spring pin	9-32-4055-00	1	1	1	1	1	1			
	Release rod	8-146-201-01	1	1	1	1	1	1			
Foot Mounting	34	<i>Foot mounting kit, comprised of:</i> Foot mounting bracket Cap screw Lock washer	5-55-2021-00								
	34S		8-034-205-01	1	1	1	1	1	1		
	39W		9-17-1624-00	4	4	4	4	4	4		
			9-45-1316-00	4	4	4	4	4	4		
Vertical Mounting below Motor	3	Stationary disc	8-003-202-02	1	1	1	1	2	2		
	5	Pressure plate (<i>less pins - Item 61</i>)	8-005-109-03	1	1	1	1	1	1		
	61	Vertical mounting pin	8-061-206-00	3	3	3	3				
		Vertical mounting pin	8-061-207-00					3	3		
		Vertical mounting spring kit (below)	5-96-0103-00	1	1	1	1	1	1		
	170	Plunger guide bracket (AC)	8-170-204-00	1	1	1	1	1	1		
	170S	Cap screw (<i>bracket</i>)	8-350-002-00	2	2	2	2	2	2		
170W	Lock washer (<i>bracket</i>)	9-45-0330-00	2	2	2	2	2	2			
171	Shim (<i>bracket</i>)	8-454-016-00	*	*	*	*	*	*			
Space Heater	<i>not shown</i>	Heater (<i>115 volt circuit</i>)	9-62-2058-00	1	1	1	1	1	1		
		Heater (<i>230 volt circuit</i>)	9-62-2061-00	1	1	1	1	1	1		
		Clamp (<i>heater</i>)	9-61-0077-00	1	1	1	1	1	1		
		Screw	9-25-7321-00	1	1	1	1	1	1		

TABLE 2
Components of Support Plate Assemblies

			Brake Size Torque (lb-ft)	125	175	230
			Assembly Part Number→	5-42-2071-34-09	5-42-2073-34-09	5-42-2075-34-09
Item No.	Description	Part Number ↓				
8	Solenoid lever and pinion assembly (comprised of Items 28, 32, 32R, 54, 71, 141 and 141A)	5-96-7382-00	1	1	1	
11	Pressure spring (green)	9-70-4601-00	1			
12	Pressure spring (yellow)	9-70-6001-00		1	1	
	Solenoid assembly	see Table 3	1	1	1	
13	Solenoid link	8-013-205-00	1	1	1	
13B	Bearing (solenoid link)	9-04-1001-00	1	1	1	
13C	Cap screw (solenoid link)	8-157-703-00	1	1	1	
13N	Nut (solenoid link)	9-40-3732-00	1	1	1	
17	Lever arm assembly	5-17-2001-00	1	1	1	
17B	Pressure button	9-25-1908-00	2	2	2	
17E	Eccentric sleeve (lever arm)	8-054-201-00	1	1	1	
17S	Set screw (lever arm)	9-20-3004-00	2	2	2	
19	Pressure spring nut	8-019-201-00	1	1	1	
22	Solenoid lever stop	8-022-603-00	1	1	1	
28	Solenoid lever (component of Item 8)		1	1	1	
32	Pinion (component of Item 8)		1	1	1	
32R	Retaining ring (component of Item 8)		1	1	1	
53	Manual release spring tube	8-053-201-00	1	1	1	
53P	Roll pin (spring tube)	9-32-4012-00	1	1	1	
54	Sleeve (component of Item 8)		1	1	1	
55	Actuator (component of Item 159)	8-170-211-00	1	1	1	
55N	Nut (component of Item 159)	9-40-3730-00	1	1	1	
55S	Machine screw (component of Item 159)	9-10-3040-00	1	1	1	
59	Release spring	9-71-0004-00	1	1	1	
71	Wrap spring (component of Item 8)		1	1	1	
76	Wrap spring stop	8-076-203-00	1	1	1	
76A	Holding plate (wrap spring stop)	8-076-204-00	1	1	1	
76S	Cap screw (spring stop)	9-17-2812-00	2	2	2	
76W	Lock washer (spring stop)	9-45-1328-00	2	2	2	
126	Support plate and bearing assembly	5-26-2004-00	1	1	1	
130	Pivot pin (lever arm)	8-118-204-00	1	1	1	
131	Pivot pin (solenoid lever)	8-131-201-00	1	1	1	
131R	Retaining ring (pivot pin)	9-03-0020-00	5	5	5	
132	Cap screw (solenoid mounting)	8-350-008-00	4	4	4	
132H	Holding plate (solenoid mounting)	8-076-207-00	2	2	2	
132L	Lock plate (solenoid mounting)	8-076-206-00	2	2	2	
134	Pressure spring spacer	8-134-001-02	1	1		
	Pressure spring spacer	8-134-001-03			1	
138	Bearing (washer type)	8-138-201-00	8	8	8	
138A	Bearing (washer type)	8-138-701-00	2	2	2	
141	Wrap spring spacer (component of Item 8)		*	*	*	
141A	Wrap spring sleeve spacer (comp. of Item 8)		1	1	1	
146	Release rod	8-146-201-00	1	1	1	
146B	Ball bearing (release rod)	9-01-6801-00	1	1	1	
146R	Retaining ring (release rod)	9-03-0007-00	1	1	1	
152	Pressure spring stud	8-152-201-00	1	1	1	
152P	Pivot pin (spring stud)	8-118-202-00	1	1	1	
152R	Retaining ring (spring stud)	9-03-0019-00	2	2	2	
157	DC switch kit	see Table 3				
159	Brake release interlock kit (side manual release)	5-55-2004-00	1	1	1	
178	Instruction plate	8-078-054-00	1	1	1	
178S	Drivescrew	9-25-1303-00	2	2	2	
179	Solenoid mounting plate	8-179-205-01	1	1	1	
179G	Grommet (mounting plate)	8-147-202-00	3	3	3	
179S	Shoulder screw (mounting plate)	9-26-1108-00	3	3	3	
179W	Washer (mounting plate)	8-138-202-00	3	3	3	
170	Manual release plate	8-170-105-00	1	1	1	
170S	Release plate screw	9-16-3014-01	2	2	2	
170N	Release plate nut	9-40-3730-00	2	2	2	

*As required

Support Plate Assembly



Solenoid and Coil Assembly

TABLE 3

Components of Solenoid and Coil Assemblies

Item	Description	Part Number
12	Solenoid assembly	5-12-5529-00
AC Brakes		
12A	No. 9 coil assembly 60 Hz	115 Vac 5-96-6901-33 230 Vac 5-96-6902-33 460 Vac 5-96-6904-33 575 Vac 5-96-6905-33 115/230 Vac 5-96-6907-33 230/460 Vac 5-96-6909-33
159	Brake release interlock switch kit	5-55-2004-00
DC Brakes		
12A	No. 9 coil assembly	115 Vdc 5-96-6916-33 230 Vdc 5-96-6917-33
157	DC switch kit	115 Vdc 5-57-5716-02 230 Vdc 5-57-5717-02

TABLE 4 – Contents of Assemblies and Kits

Item No.	Description
12	Solenoid assembly (5-12-5529-00) 1 - Plunger 1 - Frame 2 - Lock plates 1 - Solenoid link cap screw 1 - Solenoid link nut 1 - Cable clamp and screw (DC only)
12A	Coil assembly (5-96-69XX-33) 1 - Coil 2 - Plunger guides 2 - Plunger guide screws
157	DC switch kit (5-57-57XX-02) 1 - DC switch 2 - Mounting screws 2 - Lock washers
159	AC switch kit (5-55-2004-00) (brake release interlock switch - N.O.) 1 - AC switch 2 - Mounting screws 2 - Lock washers
7R	Full Release kit (5-55-2007-00) 1 - Release lever 1 - Spring pin 1 - O - Ring 1 - Release handle 1 - Locking plate 1 - Assembly hardware

