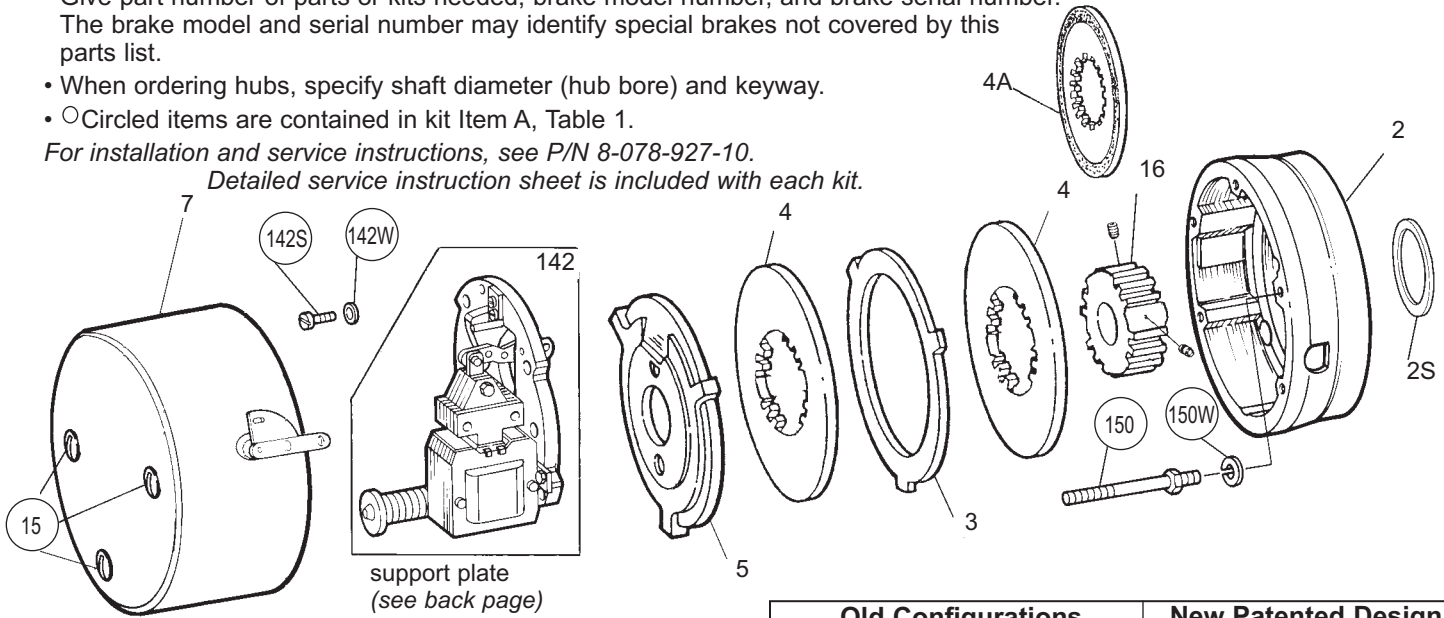


Parts List for 87,000 Series (Portal Crane Duty) (rev. B)

Information required when ordering replacement parts:

- Give part number of parts or kits needed, brake model number, and brake serial number. The brake model and serial number may identify special brakes not covered by this parts list.
- When ordering hubs, specify shaft diameter (hub bore) and keyway.
- ○Circled items are contained in kit Item A, Table 1.

For installation and service instructions, see P/N 8-078-927-10.
Detailed service instruction sheet is included with each kit.



Stearns®

SEE INSTALLATION AND SERVICE SHEET OR INSTALLATION LABEL INSIDE OF HOUSING BEFORE INSTALLING, OPERATING OR SERVICING BRAKE.

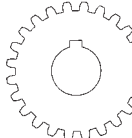
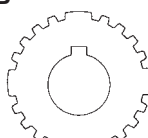
Model number: 108705100EQB
Rev. B
Serial number: [blank]
Torque lb-ft: [blank]
Mounting: [blank]
Amps inrush: [blank]
Volts: [blank]
Hertz: [blank]
Amps holding: [blank]

LR 6254

Rexnord Corporation, Stearns Division
Milwaukee, WI 53202 (414) 272-1100

Note:
MODEL NUMBER
will appear on brake nameplate.

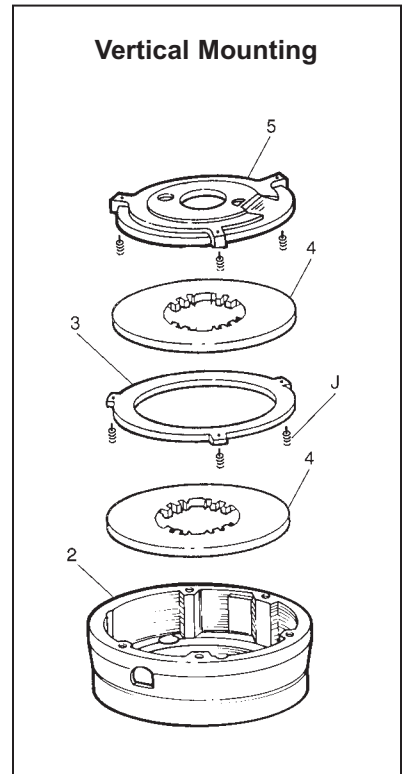
REVISION CONTROL
(if applicable) and
brake serial number

Old Configurations	New Patented Design Rev. B
 24 tooth 4.24 diameter	 16 tooth 3.12 diameter

Note: For brakes with this style hub request parts list sheet 8-078-917-10.

TABLE 1:
Components of Standard AC or DC Brake
and Components for Vertical Modifications,
Braz Parts and Splined Parts

Item	Description	Part Number	Torque (lb-ft)											
			25		35		50		75		105			
			AC	DC	AC	DC	AC	DC	AC	DC	AC	DC		
			1-087-032-X3	1-087-036-X3	1-087-042-X3	1-087-046-X3	1-087-052-X3	1-087-056-X3	1-087-062-X3	1-087-066-X3	1-087-082-X3	1-087-086-X3		
2	Endplate (1-disc) Endplate (2-disc) Endplate (3-disc)	8-002-906-01-30F 8-002-907-01-30F 8-002-908-01-30F	1	1	1	1	1	1	1	1	1	1	1	1
2S	Oil seal	9-02-0033-00	1	1	1	1	1	1	1	1	1	1	1	1
3	Stationary disc - horizontal and vertical	5-66-8372-00					1	1	1	1	1	1	2	2
4	Friction disc - splined	5-66-8483-00	1	1	1	1	2	2	2	2	3	3	3	3
4A	Carrier (optional) horizontal mounting only	5-18-7003-00	1	1	1	1	2	2	2	2	3	3	3	3
5	Pressure plate horizontal and vertical above	5-66-8571-00	1	1	1	1	1	1	1	1	1	1	1	1
7	Housing - full release	5-07-7036-01	1	1	1	1	1	1	1	1	1	1	1	1
not shown	Gasket - housing O-ring seal - housing stud	5-63-0713-00	1	1	1	1	1	1	1	1	1	1	1	1
16	Hub and set screw assembly (1-disc) Hub and set screw assembly (2-disc) Hub and set screw assembly (3-disc)	5-16-7201-00-01X 5-16-7202-00-01X 5-16-7203-00-01X	1	1	1	1		1	1	1			1	1
142*	Support plate assembly (AC) Support plate assembly (AC) Support plate assembly (DC) Support plate assembly (DC)	5-42-7095-40-06 5-42-7097-40-08 5-42-7096-40-06 5-42-7098-40-08	1	1		1	1		1	1			1	1
A	Hardware kit	5-96-1007-01	1	1	1	1	1	1	1	1	1	1	1	1
Vertical kit														
I	Vertical spring kit	5-66-3176-00	1	1	1	1	1	1	1	1	1	1	1	1



* Coil is separate. Consult factory for support plate assembly part number with the side manual release option.

Solenoid and Coil Assembly

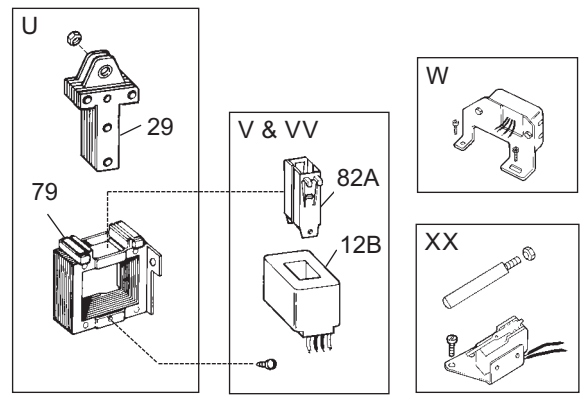
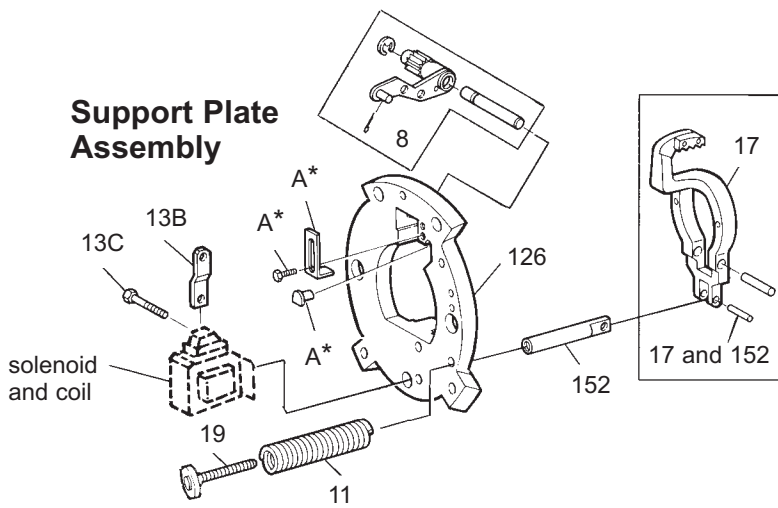


TABLE 2: Components of Support Plate and Coil Assembly*

Item	Description	Part Number	Torque (lb-ft)		Item	Description	Part Number	Torque (lb-ft)				
			25 50	35 75 105				50	35 75 105			
11	Pressure spring kit - orange Pressure spring kit - purple	5-66-3076-00 5-66-3078-00	1	1	V	No. 8 coil kit 60 Hz	115/230 Vac 230/460 Vac	5-66-6807-** 5-66-6809-**	1 1	1 1		
13B	Solenoid link Solenoid link	8-013-703-00 8-013-704-00	1	1			115 Vac 230 Vac 460 Vac 575 Vac	5-66-6801-** 5-66-6802-** 5-66-6804-** 5-66-6805-**	1 1 1 1	1 1 1 1		
13C	Solenoid link cap screw Solenoid link cap screw	8-157-702-00 8-157-703-00	1	1	XX		Brake release interlock switch	5-57-5527-00	1	1	1	
126	Support plate and bearing assembly Support plate and bearing assembly	5-26-7007-00 5-26-7008-00	1	1	optional switch		Proximity switch Target - proximity switch Mtg. bracket - proximity switch	9-62-8020-00 8-160-709-00 8-159-715-00	1 1 1	1 1 1	1 1 1	
8	Solenoid lever and pinion kit - stainless	5-96-7371-00	1	1			optional heater	Heater	115 Vac 230 Vac	9-62-2057-00 9-62-2060-00	1 1	1 1
17	Lever arm kit	5-66-7271-00	1	1				DC Brakes				
152	Pressure spring tube kit	5-66-7471-00	1	1	W	Electronic DC switch kit	115 Vdc 230 Vdc	5-57-5716-07 5-57-5717-07	1 1	1 1		
U	No. 6 solenoid kit No. 8 solenoid kit	5-66-5061-00 5-66-5081-00	1	1	VV	No. 6 coil assembly 230 Vdc	115 Vdc 230 Vdc	5-96-6616-33 5-96-6617-33	1 1	1 1		
V	No. 6 coil kit 60 Hz	115/230 Vac 230/460 Vac	5-66-6607- **	1			No. 8 coil assembly 230 Vdc	115 Vdc 230 Vdc	5-96-6816-33 5-96-6817-33	1 1	1 1	
		115 Vac	5-66-6609- **	1								
		230 Vac	5-66-6601- **	1								
		460 Vac	5-66-6602- **	1								
		575 Vac	5-66-6604- **	1								
			5-66-6605- **	1								

* Consult factory for price and availability on complete support plate assemblies including solenoid.

** -05 (green coil) indicates class H coil.

-33 (black coil) indicates class B coil.

TABLE 3: Contents of Kits and Assemblies (contents may vary)

Kit Designation	Kit Description	Kit Designation	Kit Description	Kit Designation	Kit Description
3	Stationary disc kit (5-66-8372-00) 1 - Stationary disc (horizontal or vertical)	8	Solenoid lever & pinion kit (5-96-7371-00) 1 - Solenoid lever and pinion assembly 1 - Cotter pin 1 - Solenoid lever pivot pin 1 - Pivot pin retaining ring	VV	Coil assembly (5-96-6XXX-33) DC coils 1 - Coil 2 - Plunger guides 2 - Plunger guide screws 4 - Wire fasteners
4	Friction disc kit - splined (5-66-8483-00) 1 - Friction disc - splined	17	Lever arm kit (5-66-7271-00) 1 - Lever arm assembly 1 - Lever arm pivot pin 1 - Spring tube pivot pin	W	DC switch kit (5-57-57XX-07) 1 - Switch 1 - Mounting bracket 2 - Support plate mounting screws 2 - Switch mounting screws 2 - Nuts 3 - Crimp connectors
5	Pressure plate kit (5-66-8571-00) 1 - Pressure plate	152	Pressure spring tube kit (5-66-7471-00) 1 - Pressure spring tube 1 - Pressure spring screw 1 - Spring tube pivot pin	XX	AC switch assembly (5-57-5527-00) 1 - Microswitch 1 - Mounting bracket 2 - Lead wire assemblies 2 - Mounting bracket screws 2 - Nuts 2 - Support plate screws 1 - Actuator arm 1 - Actuator arm mounting bolt 1 - Actuator arm nut
11	Pressure spring kit (5-66-307X-00) 1 - Pressure spring	U	Solenoid kit (5-66-50X1-00) 1 - Plunger 1 - Frame 3 - Solenoid mounting screws 3 - Solenoid mounting lock washers 1 - Solenoid link nut		
A	Hardware kit (5-96-1007-01) 2 - External lead wire plugs 1 - Wrap spring stop 2 - Wrap spring stop screws 1 - Solenoid lever stop 3 - Support plate screws 3 - Support plate lock washers 3 - Housing studs 3 - Housing stud lock washers 3 - Housing nuts	V	Coil kits (5-66-6XXX-**) AC coils 1 - Coil 2 - Plunger guides 2 - Plunger guide screws		
I	Vertical above spring and spacer kit (5-66-3176-00) 15- Vertical mounting springs				